



Control Head Monitor

for Electric Actuators

Reliable, Retrofittable, Peace-of-Mind Supervision

Meets All Codes and Standards. The Kidde Fire Systems Control Head Monitor (CHM) for electric actuators on discharge valve control heads meets the requirements of NFPA 2001-2012, UL 2166, UL 2127 and FM5600.

Simple Installation. The CHM is simple to install in new systems AND has the added benefit of easily retrofitting existing systems at a very reasonable price point. There is no need to switch out the existing electric actuator on discharge control heads.

Universal Compatibility. The CHM is also universal in use. It fits on all clean agent storage cylinder valves (1.5", 2" and 3") the Advanced Delivery System (ADS™) Nitrogen Drivers and the Nitrogen Pilot Cylinders for both FM-200™ and Novec™ platforms. It is compatible with the following electric actuators:

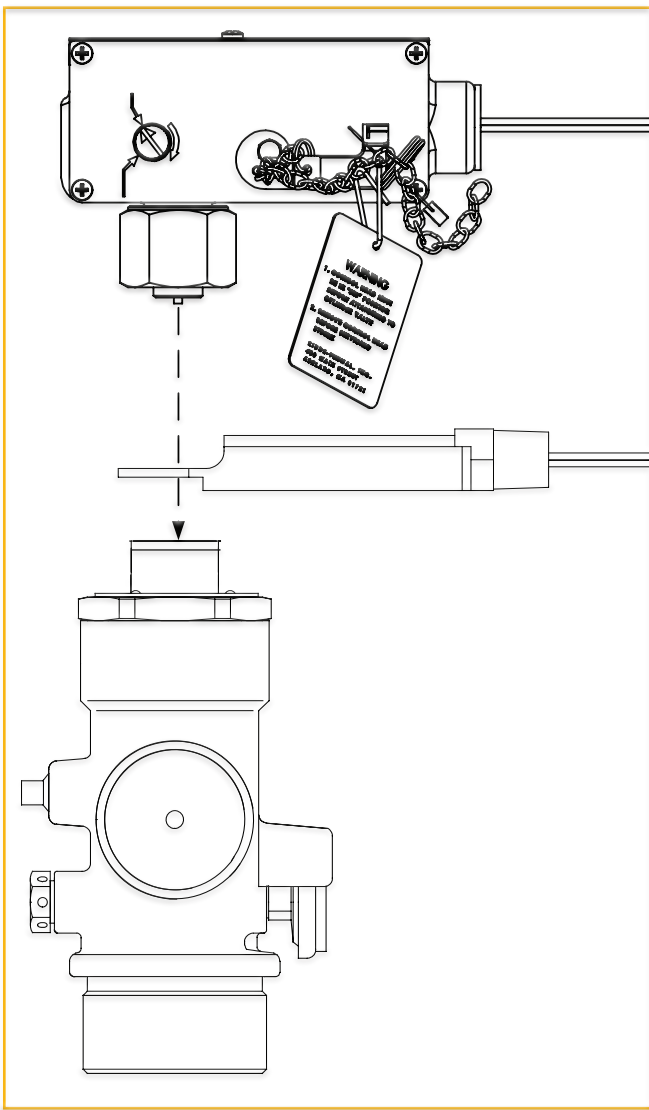
- Electric Control Head w/ Cable Operator
- Stackable Explosion-Proof Control Head
- Electric Control Head
- Electric Explosion-Proof Control Head

Total Supervision. Our CHM is truly a supervised solution. It comes standard with 4 wires to ensure that you are not only supervising the placement of the electric actuator, but also that you are supervising the complete circuit from panel to CHM to junction box for continuity (in accordance with UL 864 Standard for Control Units and Accessories for Fire Alarm Systems 9th Edition.)

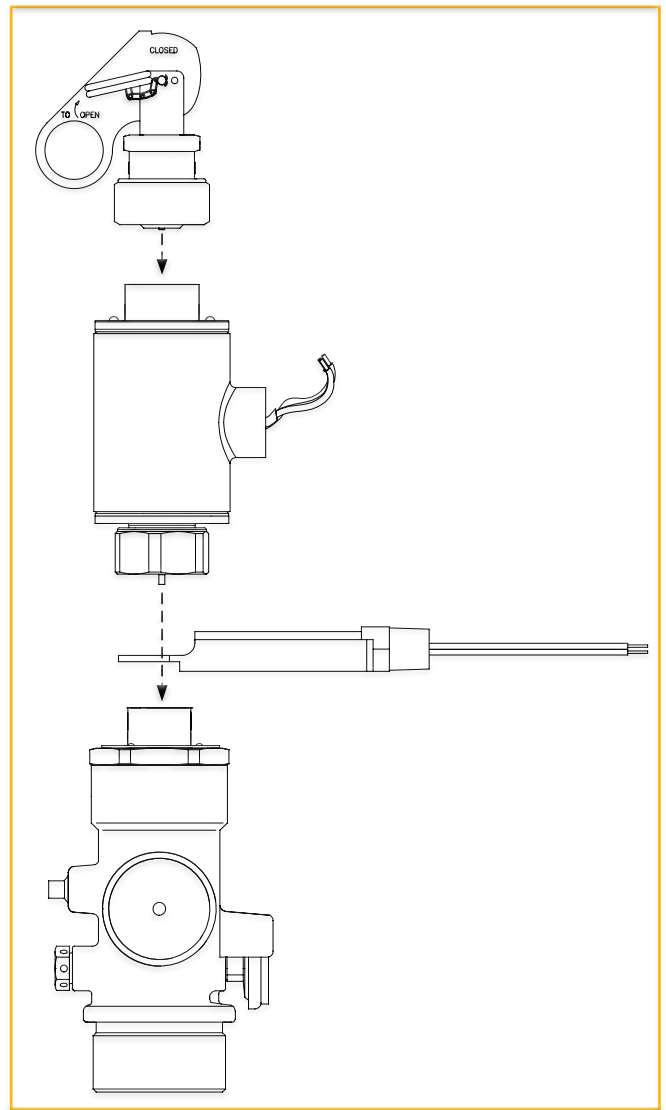
Extremely Robust. Our CHM meets the tough criteria Kidde Fire Systems demands of all its products. Besides UL Listing and FM Approval, it comes standard as an explosion-proof device that satisfies the following regulations:

USA	CANADA MARKING
XP/II/1/CDT6 Ta = -40°C to 60°C	XP/II/1/CDT6 Ta = -40°C to 60°C
DIP/II, III/EFG/T6 Ta = -40°C to 60°C	DIP/II, III/EFG/T6 Ta = -40°C to 60°C
I/1/AEx d IIB T6 Ta = -40°C to 60°C	I/1/AEx d IIB T6 Ta = -40°C to 60°C
21/AEx tb IIIC T85° Ta = -40°C to 60°C	

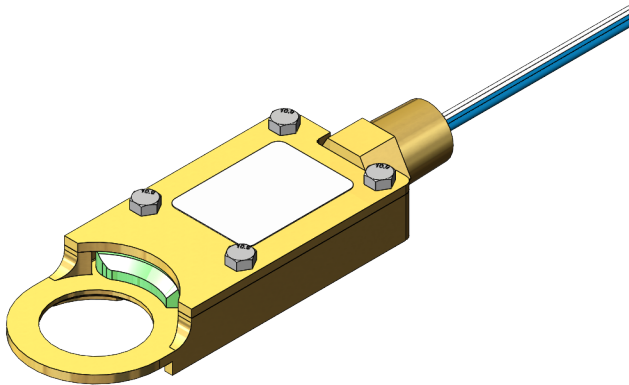




Electric Control Head



Stackable Explosion-Proof Electric Control Head w/ Lever



Approvals & Listings:

- UL Listed
- FM Approved

